

Trend[®] Cedar

Entry Frame

TECHNICAL DATA

Features & Benefits

Size Range

Ordering Details

Installation

Cross Sectional Views

Features & Benefits

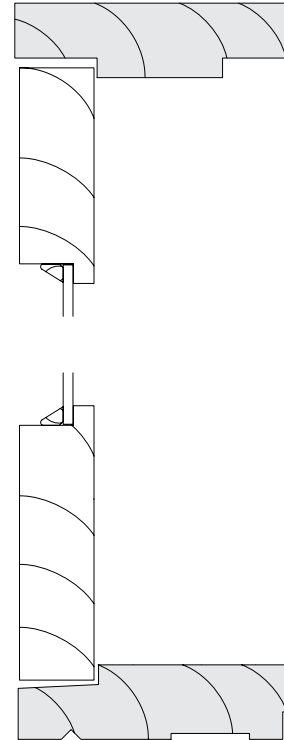
Trend® Cedar Entry Frame

- 1 Energy Efficiency Options
Trend® Thermashield® in various glazing styles are available to help reduce energy consumption. Trend® Thermashield® means greater control, bigger savings and most importantly one less thing to worry about. Energy efficient options are available from Trend®. Contact Trend® for more information.
- 2 Acoustic options
SoundMizer® acoustic solutions in various STC ratings, are available to STC 35 for Trend® Cedar Hinged Door. SoundMizer® acoustic solutions can reduce aircraft, highway traffic, railway and other annoying noise problems. For information or technical details contact Trend®.
- 3 Hardware
Doors are not hung and are provided loose for owners build-in option.
- 4 Safety Glazing
Toughened Safety A Grade Glass with a visual motif at the mid point to provide added safety. Laminated Glass is used in all non standard door sizes. Double Glazing is available for energy efficiency requirements.

- 5 Stiles
Doors are manufactured from engineered and/or veneered and solid stiles.
- 6 Options
 - Easy to fit flyscreens to match can be fitted at owners option
 - Also available in Colonial and Federation and custom styles with Ovolo Bar
 - Raised Cedar Panels to low and/or highlites
 - 190mm bottom and mid rails options are available
 - Round Heads or Arched Heads are available
 - Ovolo Profile is available

NOTE:
Trend® does not supply locking and hinging hardware.

All Hinged Doors are 40mm Open In unless specifically requested to be Open Out.



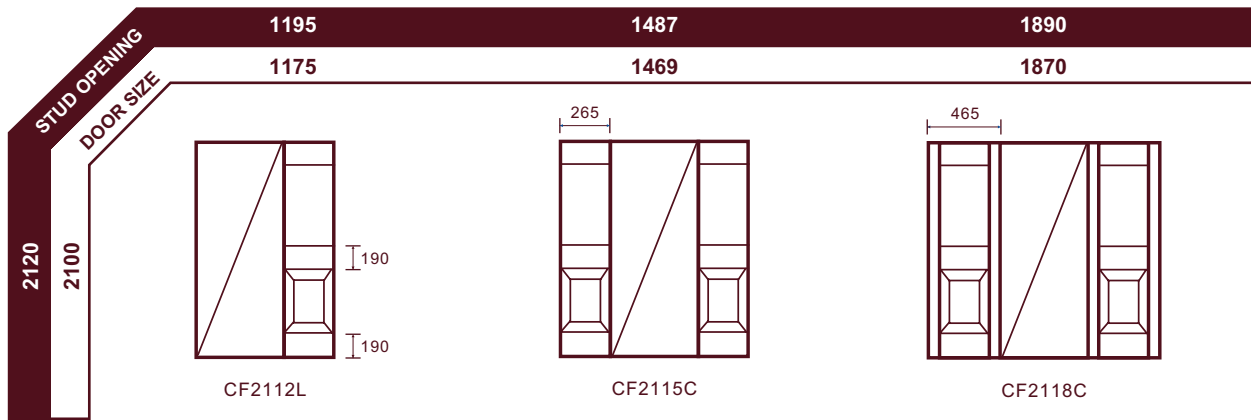
Please note that drawings are not to scale

Trend® Cedar Entry Frame | DC | Mk-5 | 31 May 2010

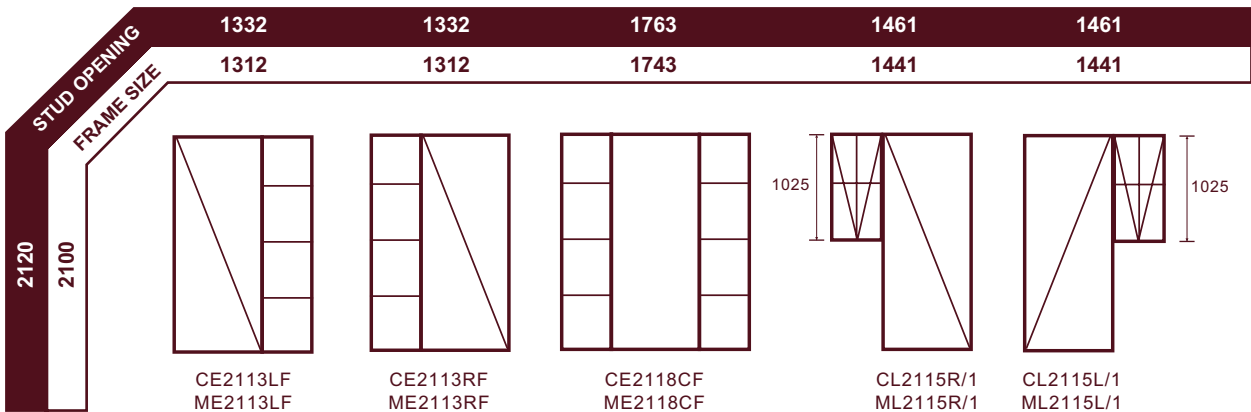
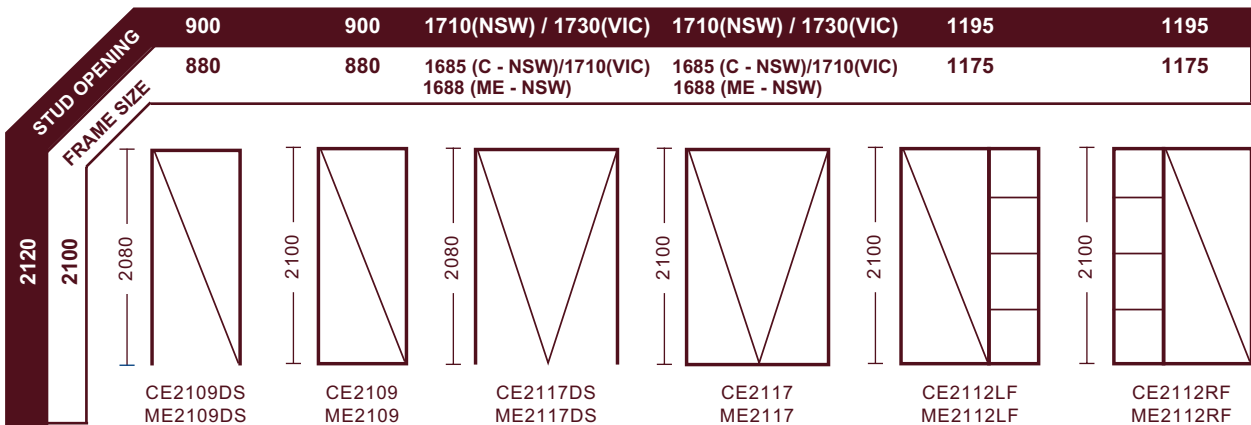
Confidentiality Notice: This document and the information it contains are copyright and confidential to Trend® Doors & Doors Pty Limited. Disclosure, use and copying in any form whatsoever, except as authorised by Trend® Doors & Doors in writing, are strictly prohibited. Patents and Design Registrations pending.

Size Range

Trend® Cedar Entry Frame



ENTRY & COMBINATION FRAMES



C = Cedar
ME = Meranti
ML = Meranti / Laundry Combination

All Doors and doors are designed to 700pa velocity and 150pa water rating.
For higher ratings consult Trend® Doors & Doors

Please note that drawings are not to scale

Trend® Cedar Entry Frame | DC | Mk-5 | 31 May 2010

Confidentiality Notice: This document and the information it contains are copyright and confidential to Trend® Doors & Doors Pty Limited. Disclosure, use and copying in any form whatsoever, except as authorised by Trend® Doors & Doors in writing, are strictly prohibited. Patents and Design Registrations pending.

Ordering Details

Trend® Cedar Entry Frame

All entry and combination door frames accommodate 2040 x 820 x 40mm sizing.

The sidelites to CE2113LF and CE2118CF will accommodate 2040 x 400 x 40mm sidelite doors without colonial bars.

Other options include round or arch heads, custom built frames. For Colonial bar layout place CL at end of code. DS= Delete sill

Entry combination frame CE2117DS, for Victoria only use CE2117VIC to indicate mushroom stop.

NOTE: Entry frames are available in Cedar and Meranti. Please use the correct code when ordering.

C= Cedar

ME= Meranti

ML= Meranti / Laundry Combination.

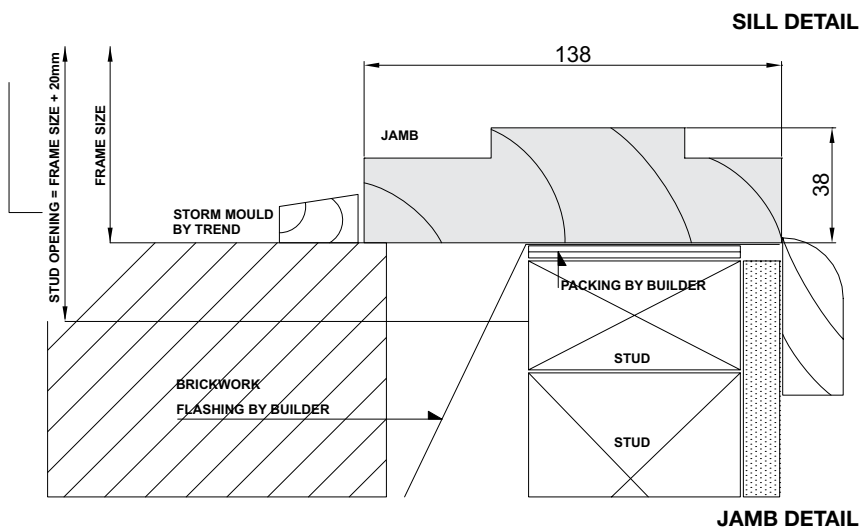
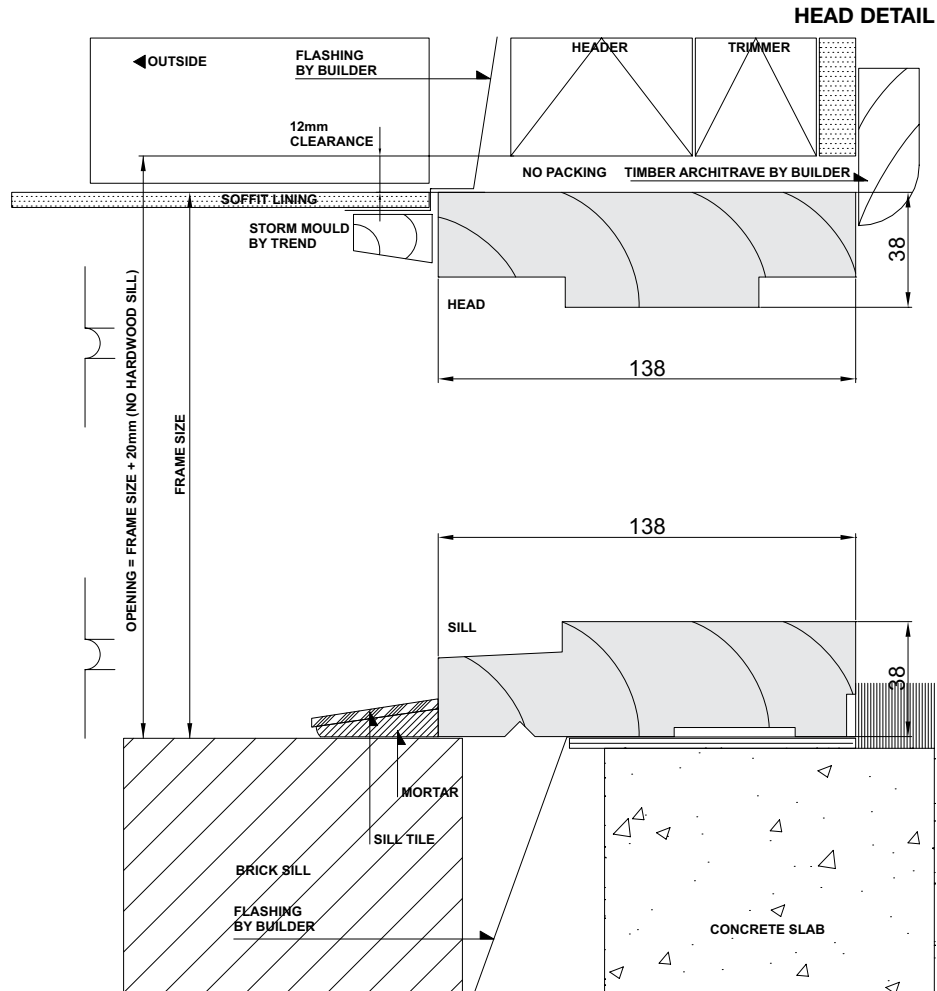
Please note that drawings are not to scale

Trend® Cedar Entry Frame | DC | Mk-5 | 31 May 2010

Confidentiality Notice: This document and the information it contains are copyright and confidential to Trend® Doors & Doors Pty Limited. Disclosure, use and copying in any form whatsoever, except as authorised by Trend® Doors & Doors in writing, are strictly prohibited. Patents and Design Registrations pending.

Installation

Trend® Cedar Entry Frame | Building In Detail | **Brick Veneer - 230mm wall**



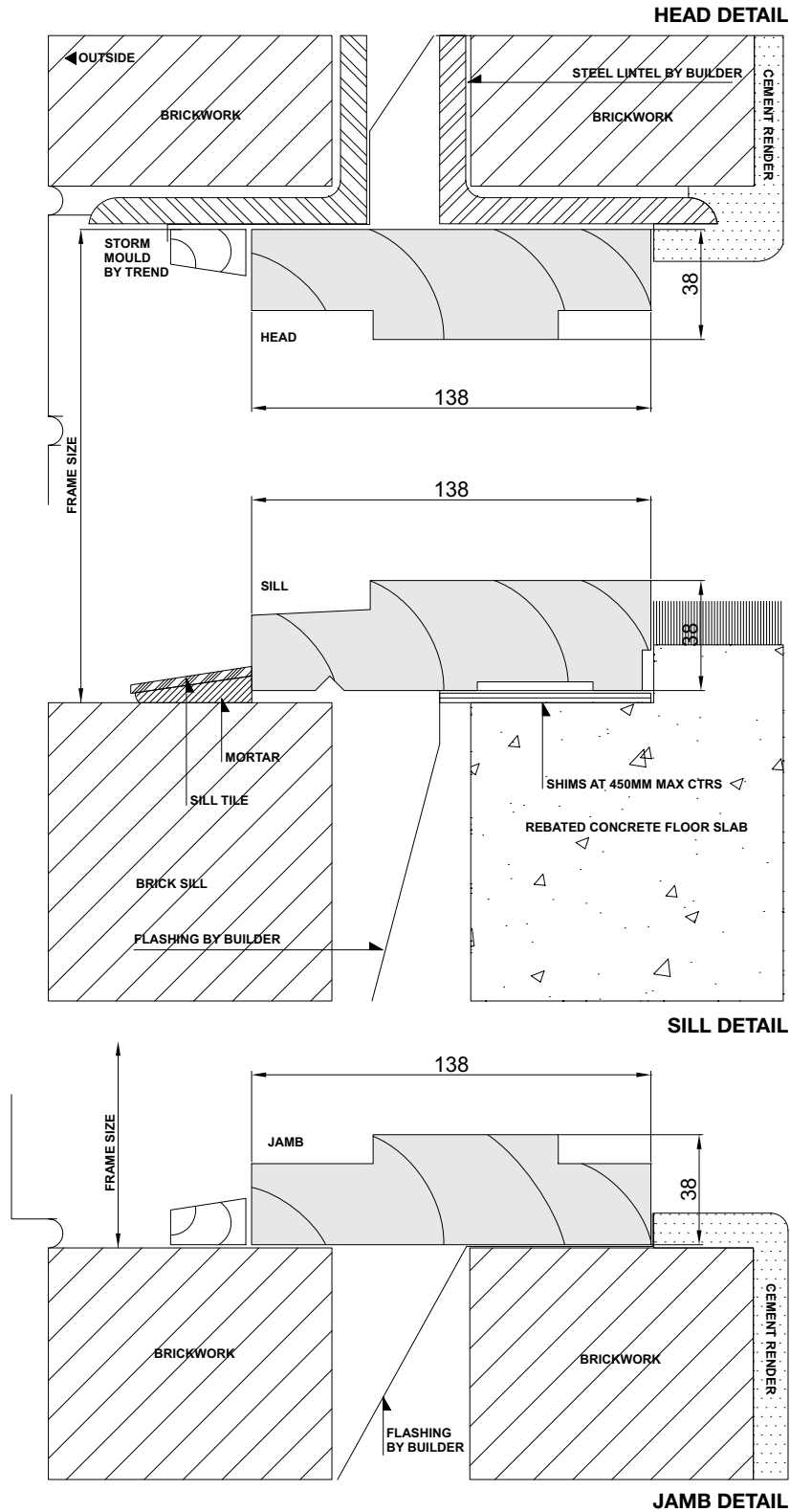
Please note that drawings are not to scale

Trend® Cedar Entry Frame | DC | Mk-5 | 31 May 2010

Confidentiality Notice: This document and the information it contains are copyright and confidential to Trend® Doors & Doors Pty Limited. Disclosure, use and copying in any form whatsoever, except as authorised by Trend® Doors & Doors in writing, are strictly prohibited. Patents and Design Registrations pending.

Installation

Trend® Cedar Entry Frame | Building In Detail | **Double Brick - 280mm wall**



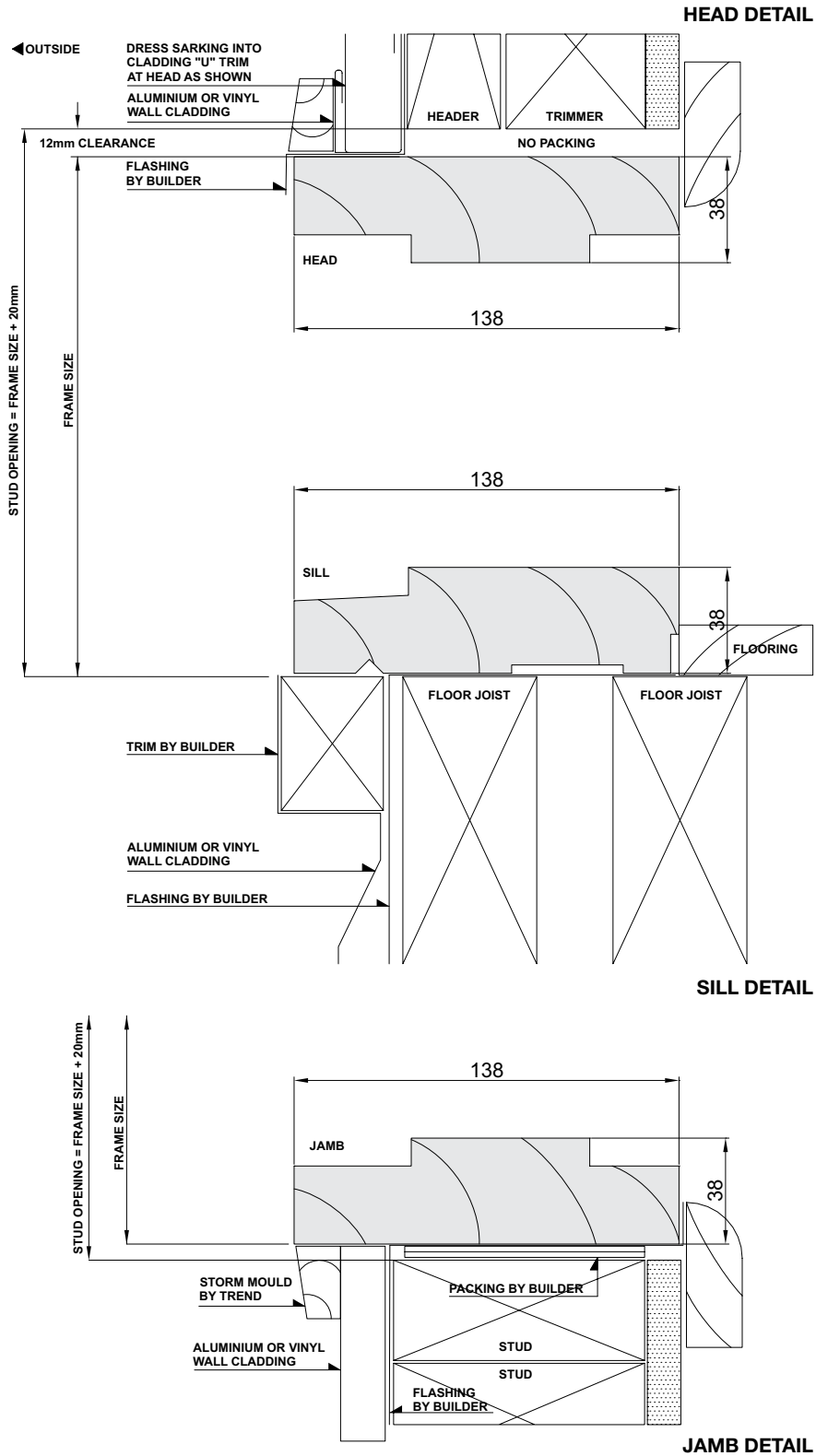
Please note that drawings are not to scale

Trend® Cedar Entry Frame | DC | Mk-5 | 31 May 2010

Confidentiality Notice: This document and the information it contains are copyright and confidential to Trend® Doors & Doors Pty Limited. Disclosure, use and copying in any form whatsoever, except as authorised by Trend® Doors & Doors in writing, are strictly prohibited. Patents and Design Registrations pending.

Installation

Trend® Cedar Entry Frame | Building In Detail | Aluminium Cladding on Studs



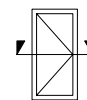
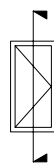
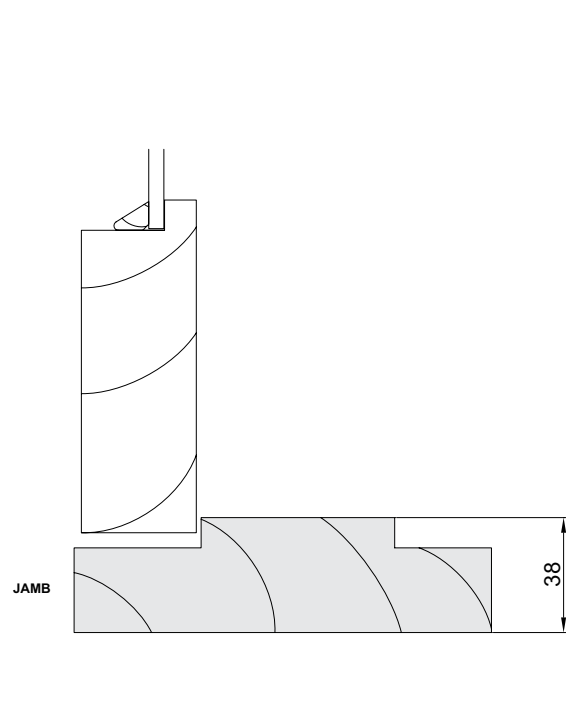
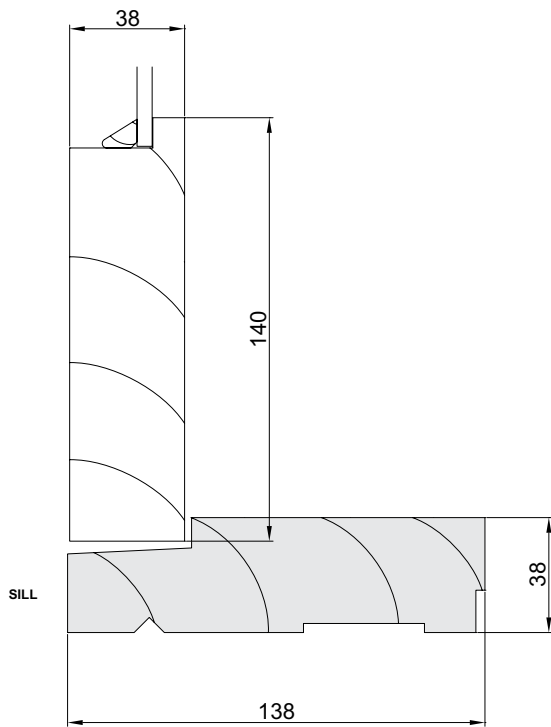
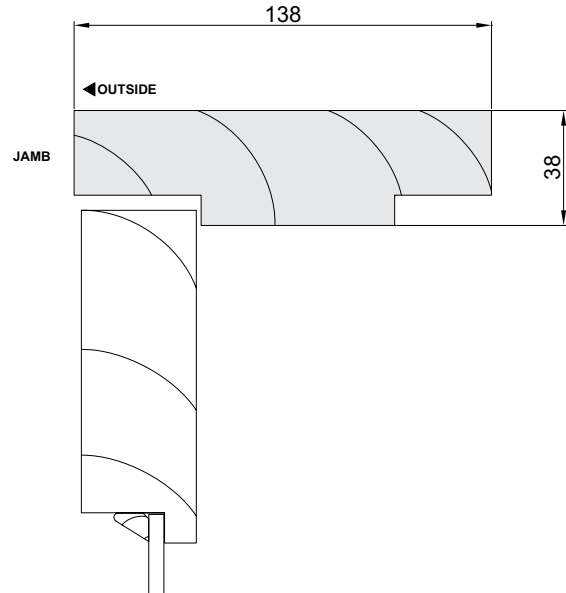
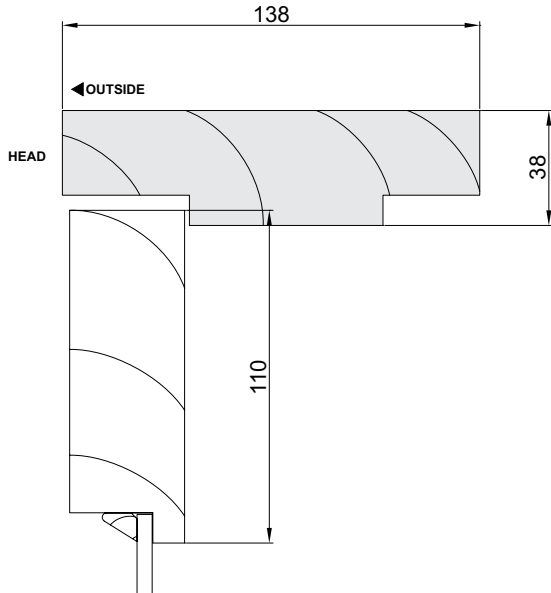
Please note that drawings are not to scale

Trend® Cedar Entry Frame | DC | Mk-5 | 31 May 2010

Confidentiality Notice: This document and the information it contains are copyright and confidential to Trend® Doors & Doors Pty Limited. Disclosure, use and copying in any form whatsoever, except as authorised by Trend® Doors & Doors in writing, are strictly prohibited. Patents and Design Registrations pending.

Cross Sectional Views

Trend® Cedar Entry Frame | **Open Out**



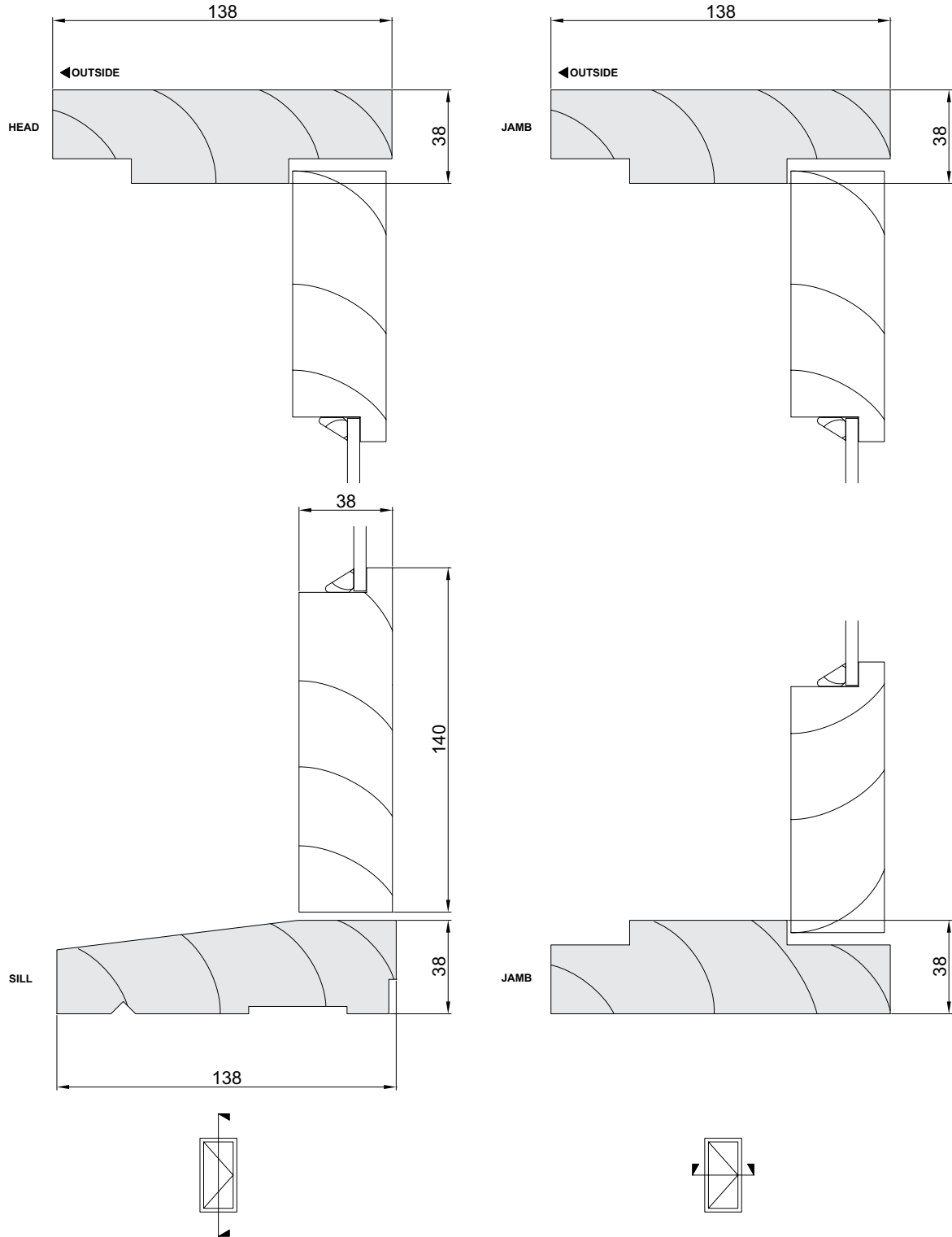
NOTE: All Doors are supplied loose with no hardware fitted. All hardware is supplied and fitted by the builder.

Please note that drawings are not to scale

Trend® Cedar Entry Frame | DC | Mk-5 | 31 May 2010

Cross Sectional Views

Trend® Cedar Entry Frame | **Open In**



NOTE: All Doors are supplied loose with no hardware fitted. All hardware is supplied and fitted by the builder.

Please note that drawings are not to scale

Trend® Cedar Entry Frame | DC | Mk-5 | 31 May 2010

Confidentiality Notice: This document and the information it contains are copyright and confidential to Trend® Doors & Doors Pty Limited. Disclosure, use and copying in any form whatsoever, except as authorised by Trend® Doors & Doors in writing, are strictly prohibited. Patents and Design Registrations pending.