

Trend Aluminium[®]

Louvres

TECHNICAL DATA

Features & Benefits

Size Range

Ordering Details

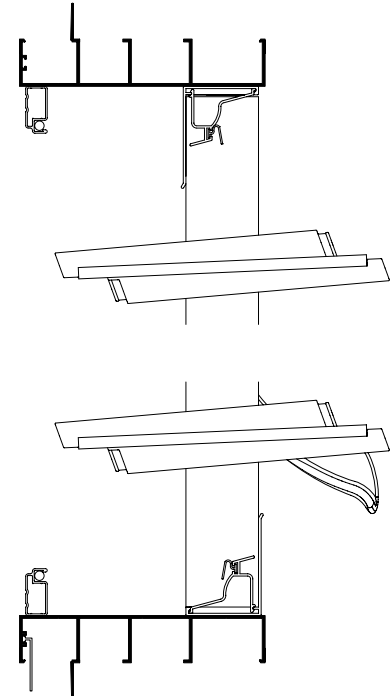
Installation

Cross Sectional Views

Features & Benefits

Trend® Louvres

- 1 **Energy Efficiency Options**
Trend® Thermashield® in various glazing styles are available to help reduce energy consumption. Trend® Thermashield® means greater control, bigger savings and most importantly one less thing to worry about. Energy efficient options to u-value of 4.2 and SHGC 0.33 are available for Trend® Louvre window.
- 2 **Acoustic Options**
SoundMizer® acoustic solutions in various STC ratings, are available to STC 23 for Trend® Louvre window. SoundMizer® acoustic solutions can reduce aircraft, highway traffic, railway and other annoying noise problems. For information or technical details contact Trend®.
- 3 **Mechanics**
Clever combination of T shaped aluminium bars and high strength acetal bearing has resulted in strong, non-corrosive operation, that extends the life of the louvre beyond the most stringent standard tests levels.
- 4 **High Performance**
Newly developed patented innovations, improve dramatically, the Trend® Louvres water and weather resistance. One of these innovations, the unique “living hinge”, ensures an extremely firm fit between the louvre clips and the channel to resist water and air leakage. The overlapping shroud device on each clip creates a water-resistant seal between the clips. In extreme weather conditions the patented primary and secondary drainage channels, hidden within the clips, manage any water to the outside of the building.
- 5 **Handles**
Ergonomic curved handle is standard and is available in 25 different colours. Optional “O” ring handle is available for high up, out of reach applications. Low profile handle for door insertion applications is also available as an option, as is Handle Locking Bar for easier opening for ergonomic situations, i.e. retirement homes. Handles can be placed left or right, up high, or down low.
- 6 **Security**
Keyed lock is available as an option for applications where security is paramount, as is Security Bars to fit standard blade widths (Breezway 130mm Easy Frame louvre only).
- 7 **Glazing**
Louvre Blades are available in 152mm or 102mm height, 6mm toughened glass for strength and safety. Also blades are available in timber, aluminium or high performance extended warranty aluminium including photo image timber look. Trend® Louvre window, are one of the tightest sealing louvres on the market as well as high performing. Use of laminated glass is not recommended.
- 8 **Options**
Timber and Aluminium Blades. Select colour matching clips and handles to further enhance the Trend® Louvre Window. Frosted, etched or tinted toughened glass. “O” Ring Handle for high applications, Low Profile Handle and Handle Locking Bar. Keyed Locks and Security Bars. Insect Screens. Wide range of powdercoat finishes available including timber powdercoat finishes.



Please note that drawings are not to scale

Trend® Louvres | ATL | Mk-5 | 1 April 2010

Size Range

Trend® Louvres

LOUVRE GALLERIES - 130mm SURROUND FRAME WITH 152mm BLADE HEIGHT

# of Blades	Frame Height	Frame Width	Glass Width	# of louvre banks	Codes	# of Blades	Frame Height	Frame Width	Glass Width	# of louvre banks	Codes	# of Blades	Frame Height	Frame Width	Glass Width	# of louvre banks	Codes
2	380	410	308	1	ATL0404/1	8	1220	410	308	1	ATL1204/1	14	2060	410	308	1	ATL2104/1
		610	508	808	ATL0406/1			610	508	808	ATL1206/1			610	508	808	ATL2106/1
		910	808	ATL0409/1	910			808	ATL1209/1	910	808			ATL2109/1			
		1197	505	2	ATL0412/2			1197	505	2	ATL1212/2			1197	505	2	ATL2112/2
		1797	808	ATL0418/2	1797			808	ATL1218/2	1797	808			ATL2118/2			
3	520	1784	508	3	ATL0418/3	9	1360	1784	508	3	ATL1404/1	15	2200	1784	508	3	ATL1404/1
		2684	808	ATL0427/3	2684			808	ATL1227/3	2684	808			ATL1406/1	2684	808	ATL1406/1
		3571	808	ATL0436/4	3571			808	ATL1236/4	3571	808			ATL1409/1	3571	808	ATL1409/1
		4458	808	ATL0445/5	4458			808	ATL1245/5	4458	808			ATL1412/2	4458	808	ATL1412/2
					ATL0512/2					ATL1418/2					ATL1418/2		
4	660	1784	508	3	ATL0518/3	10	1500	1784	508	3	ATL1504/1	16	2340	1784	508	3	ATL1504/1
		2684	808	ATL0527/3	2684			808	ATL1527/3	2684	808			ATL1506/1	2684	808	ATL1506/1
		3571	808	ATL0536/4	3571			808	ATL1536/4	3571	808			ATL1509/1	3571	808	ATL1509/1
		4458	808	ATL0545/5	4458			808	ATL1545/5	4458	808			ATL1512/2	4458	808	ATL1512/2
					ATL0704/1					ATL1518/2					ATL1518/2		
5	800	1784	508	3	ATL0718/3	11	1640	1784	508	3	ATL1604/1	17	2480	1784	508	3	ATL1604/1
		2684	808	ATL0727/3	2684			808	ATL1627/3	2684	808			ATL1606/1	2684	808	ATL1606/1
		3571	808	ATL0736/4	3571			808	ATL1636/4	3571	808			ATL1609/1	3571	808	ATL1609/1
		4458	808	ATL0745/5	4458			808	ATL1645/5	4458	808			ATL1612/2	4458	808	ATL1612/2
					ATL0804/1					ATL1618/2					ATL1618/2		
6	940	1784	508	3	ATL0818/3	12	1780	1784	508	3	ATL1804/1	13	1920	1784	508	3	ATL1804/1
		2684	808	ATL0827/3	2684			808	ATL1827/3	2684	808			ATL1806/1	2684	808	ATL1806/1
		3571	808	ATL0836/4	3571			808	ATL1836/4	3571	808			ATL1809/1	3571	808	ATL1809/1
		4458	808	ATL0845/5	4458			808	ATL1845/5	4458	808			ATL1812/2	4458	808	ATL1812/2
					ATL0904/1					ATL1818/2					ATL1818/2		
7	1080	1784	508	3	ATL0918/3	13	1920	1784	508	3	ATL1904/1	13	1920	1784	508	3	ATL1904/1
		2684	808	ATL0927/3	2684			808	ATL1927/3	2684	808			ATL1906/1	2684	808	ATL1906/1
		3571	808	ATL0936/4	3571			808	ATL1936/4	3571	808			ATL1909/1	3571	808	ATL1909/1
		4458	808	ATL0945/5	4458			808	ATL1945/5	4458	808			ATL1912/2	4458	808	ATL1912/2
					ATL0990/1					ATL1918/2					ATL1918/2		

All windows and doors are designed to 700pa velocity and 150pa water rating. For higher ratings consult Trend® Windows & Doors

Please note that drawings are not to scale

Trend® Louvres | ATL | Mk-5 | 1 April 2010

Ordering Details

Trend[®] Louvres

All windows are illustrated as viewed from outside. Codes shown are for plain windows.

When using 130mm frame, minimum recommended reveals size is 135mm

Flyscreens can be readily fitted on the Trend[®] 130mm Surround Frame.

Blade thickness must be 6mm. Use of laminated glass for Trend[®] Louvres is not recommended

Select Colour matching clips and handles to further enhance the Trend[®] Louvre window

Keylock is optional

The first two numbers of code indicate approximate height, the last two numbers indicate approximate width

Maximum width for:

Single bank Louvres is 1002mm

Double bank louvres is 1982mm

Triple bank louvre is 2959mm

Four bank louvre is 3940mm

Five bank louvre is 4918mm

General:

When not using Weatherstip overall height will be reduced by 10mm

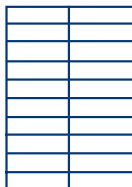
Note:

Louvre blades are available in Western Red Cedar, Aluminium or Toughened Glass

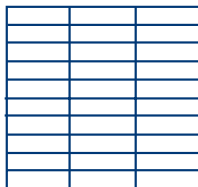
The following diagrams are samples of Trend louvre banks that are available.



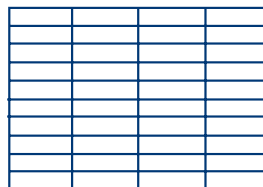
Single Bank Louvres
10 blades



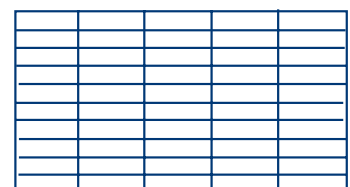
Double Bank Louvres
10 blades



Triple Bank Louvres
10 blades



Four Bank Louvres
blades



Five Bank Louvres
blades

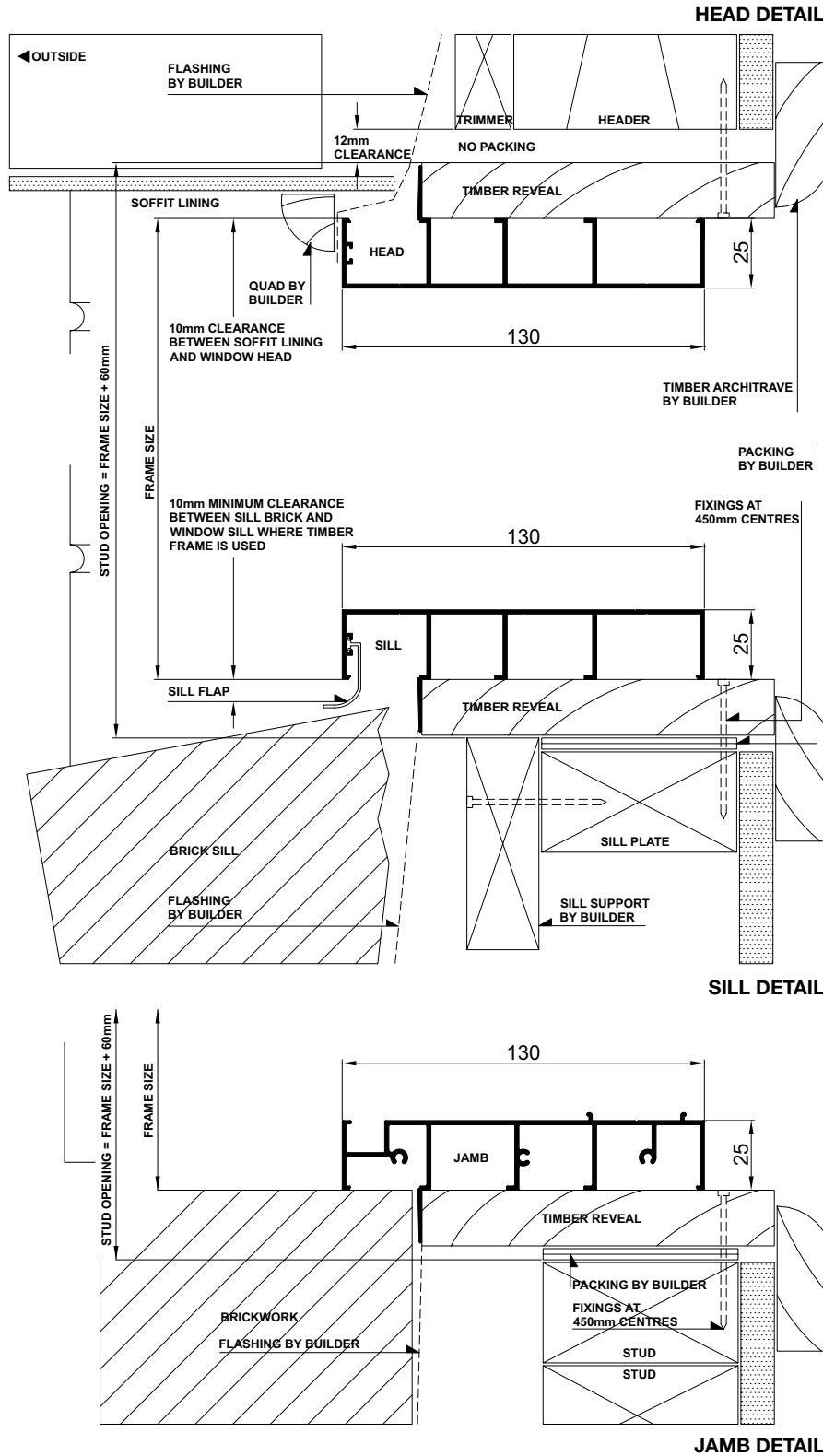
Please note that drawings are not to scale

Trend[®] Louvres | ATL | Mk-5 | 1 April 2010

Confidentiality Notice: This document and the information it contains are copyright and confidential to Trend[®] Windows & Doors Pty Limited. Disclosure, use and copying in any form whatsoever, except as authorised by Trend[®] Windows & Doors in writing, are strictly prohibited. Patents and Design Registrations pending.

Installation

Trend® Louvres | Building In Detail | **Brick Veneer - 230mm wall**



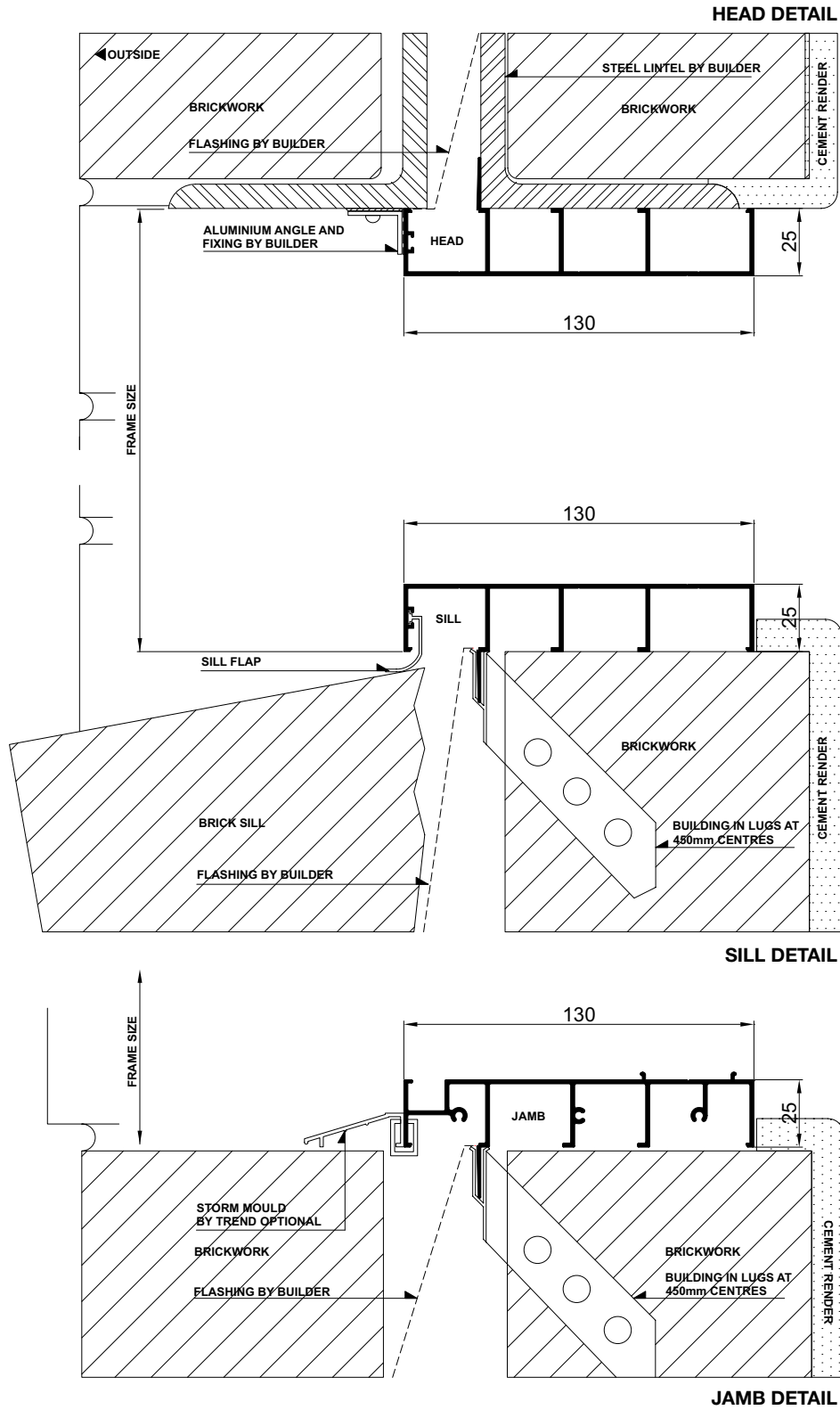
Please note that drawings are not to scale

Trend® Louvres | ATL | Mk-5 | 1 April 2010

Confidentiality Notice: This document and the information it contains are copyright and confidential to Trend® Windows & Doors Pty Limited. Disclosure, use and copying in any form whatsoever, except as authorised by Trend® Windows & Doors in writing, are strictly prohibited. Patents and Design Registrations pending.

Installation

Trend® Louvres | Building In Detail | **Double Brick - 280mm wall**



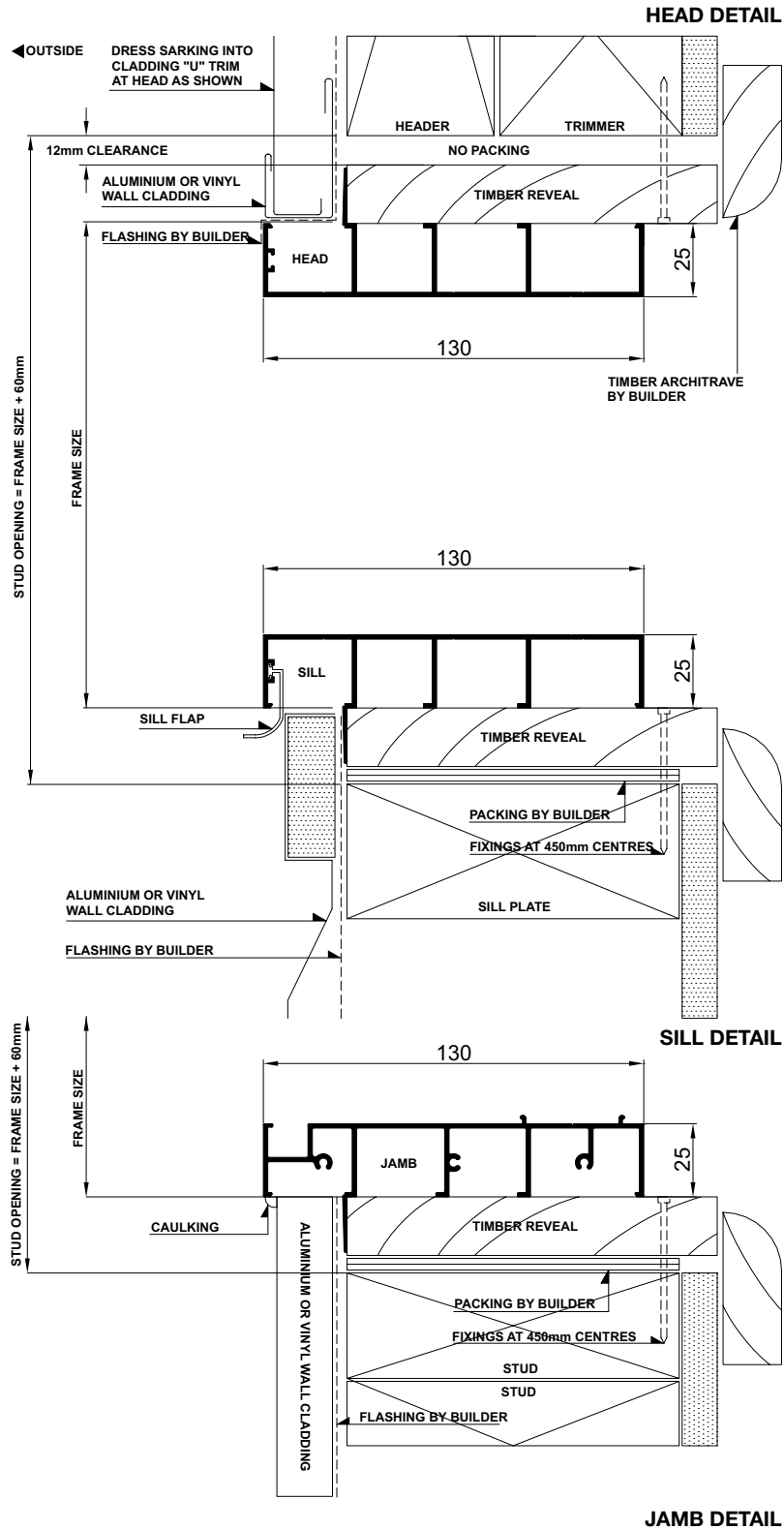
Please note that drawings are not to scale

Trend® Louvres | ATL | Mk-5 | 1 April 2010

Confidentiality Notice: This document and the information it contains are copyright and confidential to Trend® Windows & Doors Pty Limited. Disclosure, use and copying in any form whatsoever, except as authorised by Trend® Windows & Doors in writing, are strictly prohibited. Patents and Design Registrations pending.

Installation

Trend® Louvres | Building In Detail | **Aluminium Cladding on Studs**

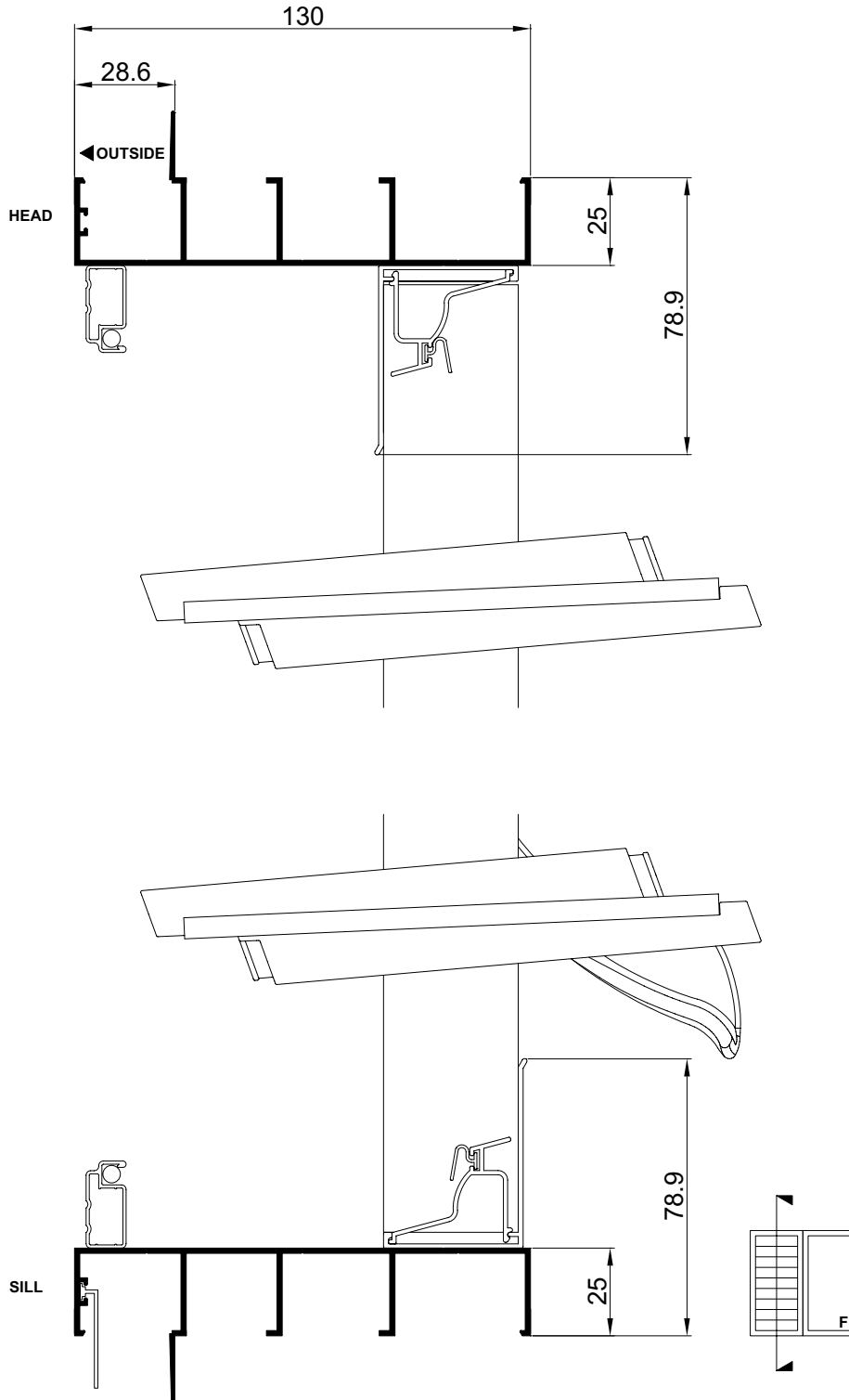


Please note that drawings are not to scale
Trend® Louvres | ATL | Mk-5 | 1 April 2010

Confidentiality Notice: This document and the information it contains are copyright and confidential to Trend® Windows & Doors Pty Limited. Disclosure, use and copying in any form whatsoever, except as authorised by Trend® Windows & Doors in writing, are strictly prohibited. Patents and Design Registrations pending.

Cross Sectional Views

Trend® Louvres | **Two Lite**



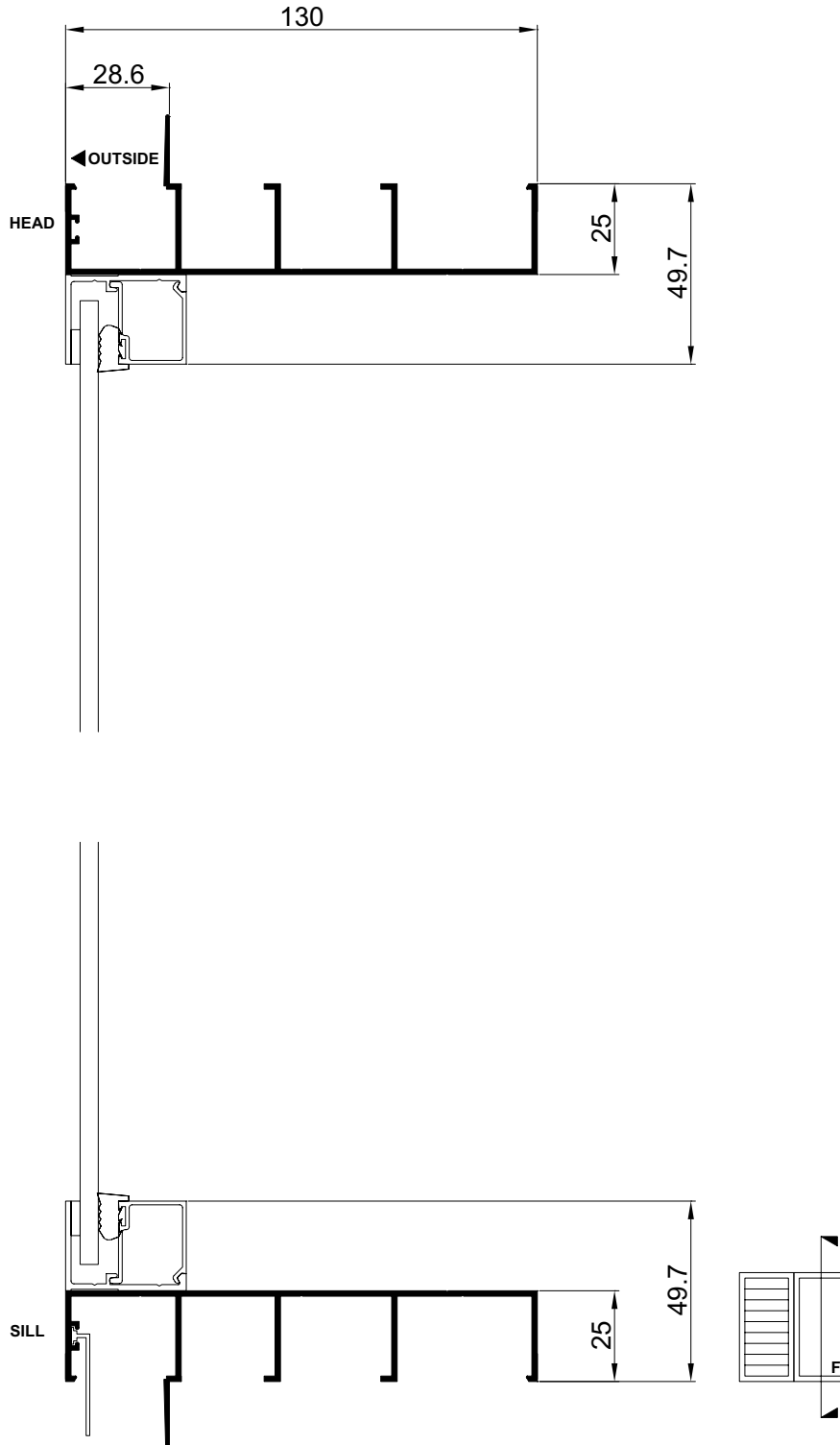
Please note that drawings are not to scale

Trend® Louvres | ATL | Mk-5 | 1 April 2010

Confidentiality Notice: This document and the information it contains are copyright and confidential to Trend® Windows & Doors Pty Limited. Disclosure, use and copying in any form whatsoever, except as authorised by Trend® Windows & Doors in writing, are strictly prohibited. Patents and Design Registrations pending.

Cross Sectional Views

Trend® Louvres | **Two Lite**

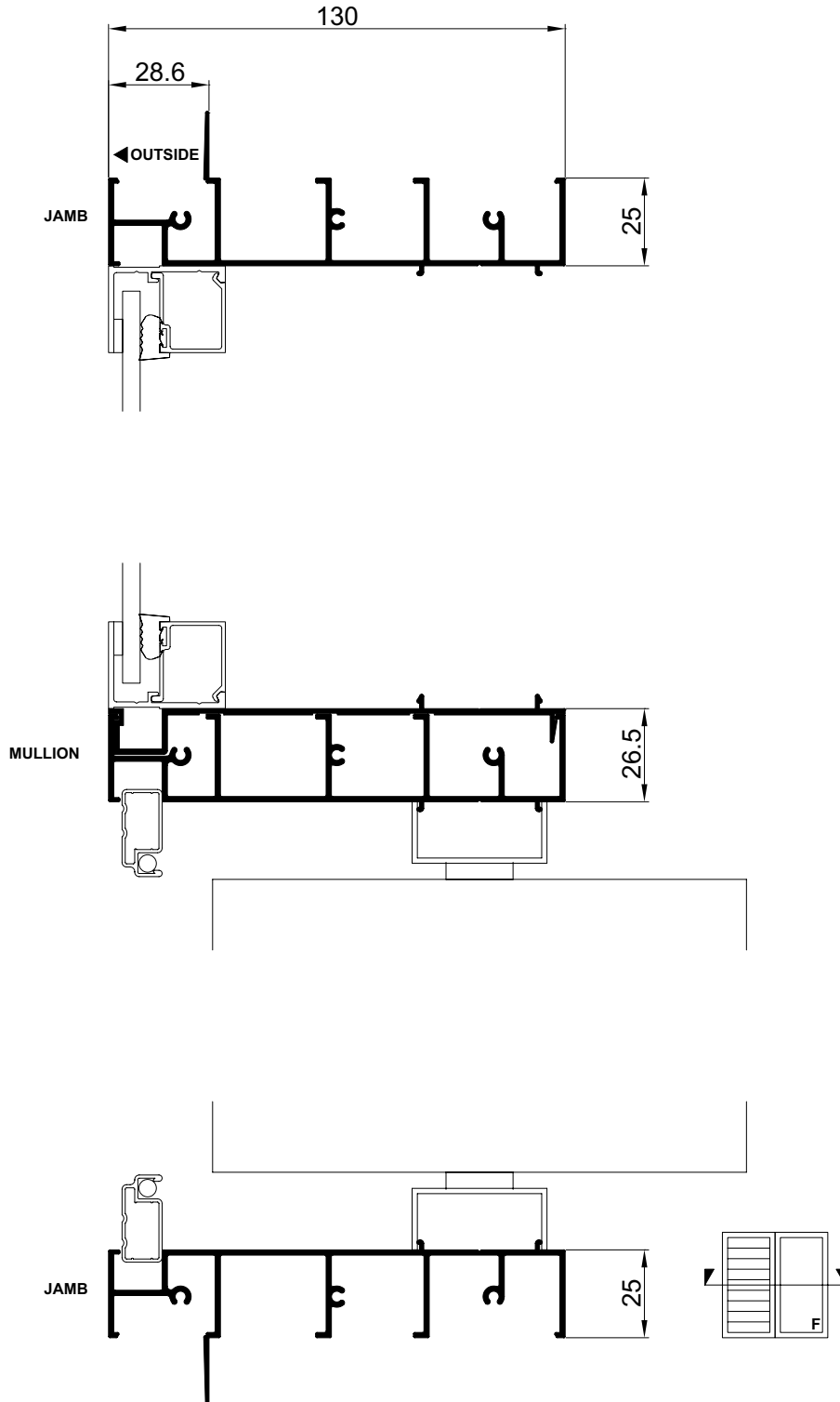


Please note that drawings are not to scale
Trend® Louvres | ATL | Mk-5 | 1 April 2010

Confidentiality Notice: This document and the information it contains are copyright and confidential to Trend® Windows & Doors Pty Limited. Disclosure, use and copying in any form whatsoever, except as authorised by Trend® Windows & Doors in writing, are strictly prohibited. Patents and Design Registrations pending.

Cross Sectional Views

Trend® Louvres | **Two Lite**



Please note that drawings are not to scale
Trend® Louvres | ATL | Mk-5 | 1 April 2010

Confidentiality Notice: This document and the information it contains are copyright and confidential to Trend® Windows & Doors Pty Limited. Disclosure, use and copying in any form whatsoever, except as authorised by Trend® Windows & Doors in writing, are strictly prohibited. Patents and Design Registrations pending.