

Xtreme[®] Aluminium

Provincial Door

TECHNICAL DATA

Features & Benefits

Size Range

Ordering Details

Installation

Cross Sectional Views

Please note that drawings are not to scale

Xtreme[®] Provincial Door | PD-E | Mk 6 | 26 Oct 2009

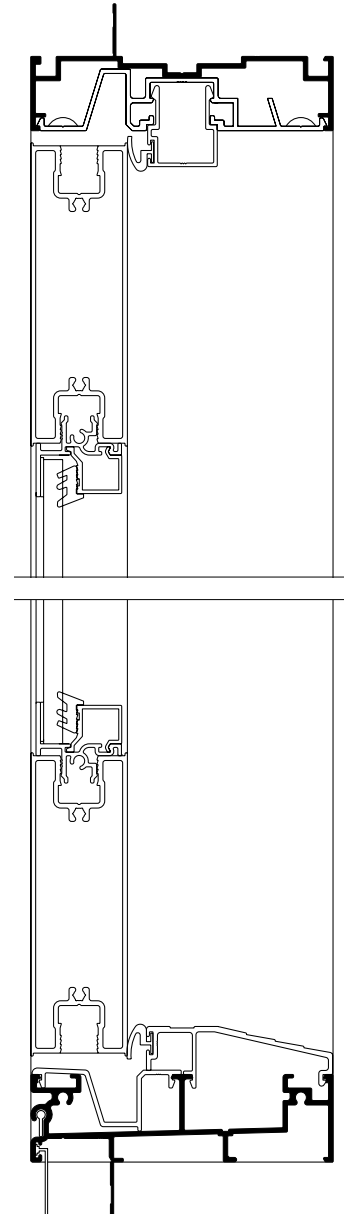
Confidentiality Notice: This document and the information it contains are copyright and confidential to Trend[®] Windows & Doors Pty Limited. Disclosure, use and copying in any form whatsoever, except as authorised by Trend[®] Windows & Doors in writing, are strictly prohibited. Patents and Design Registrations pending.

Features & Benefits

Xtreme® Provincial Door

***Xtreme® Windows & Doors have been tested to AS1530.8.1 (2007), and comply to Section 8 Construction Service Bushfire Attack Level 40 (BAL-40), Radiant Heat Level 40kW/m², AS3959 (2009). For full details of Standards requirements for individual products please refer to Trend Windows & Doors Technical Department.**

- | | |
|--|--|
| <p>1 Bushfire Features
Xtreme® Bushfire Windows & Doors have been tested to withstand temperatures up to 40kW/m² without failure from either the glazing or from the window system itself, to help prevent internal ignition of houses and loss of precious possessions.</p> <p>2 Xtreme® Bushfire Windows & Doors System Features include Pyro-Protac™ Sealing Systems acting to protect the home against wind, water, noise dust and bushfire penetration. Trend® has developed a technologically advanced system with Pyro-Protac™ glazing systems with 6mm standard toughened glass to produce Xtreme® Hinged Doors.</p> <p>3 Energy Efficiency Options
Trend® Thermashield® in various glazing styles are available to help reduce energy consumption. Trend® Thermashield® means greater control, bigger savings and most importantly one less thing to worry about. Energy efficient options to u-value of 6.0 and SHGC 0.27 are available for Trend® Xtreme® Bushfire Hinged Door.</p> <p>4 Acoustic options
SoundMizer® acoustic solutions in various STC ratings, are available to STC 27 for Trend® Xtreme® Bushfire Hinged Door. SoundMizer® acoustic solutions can reduce aircraft, highway traffic, railway and other annoying noise problems. For information or technical details contact Trend®.</p> <p>5 Safety Glazing
6mm toughened Safety A Grade Glass with a visual motif at the mid point to provide added safety. Double Glazing is available for energy efficiency requirements.</p> | <p>6 Locks
Standard patio deadlock is fitted for security. Optional three point locking is also available.</p> <p>7 Hinges
The door is hung on special offset fast-fix hinges to eliminate binding. The door can also be supplied with Parliament hinges where the door is to swing out flush to brickwork.</p> <p>8 Direction of Opening
The door can only be ordered as open out both in single and double doors only.</p> <p>9 Maximum door height is 2400mm
Maximum door width is 1000mm in single and 2000mm in double combination.</p> <p>10 Drained Sill
Standard on the door is the fully drained sill to improve the weathering on the door.</p> <p>11 Protective Wrapping
Protective wrapping for delivery to site is a standard for all Xtreme® products.</p> <p>12 Options
Wide range of powdercoat finishes including timber finishes available.</p> |
|--|--|



Please note that drawings are not to scale

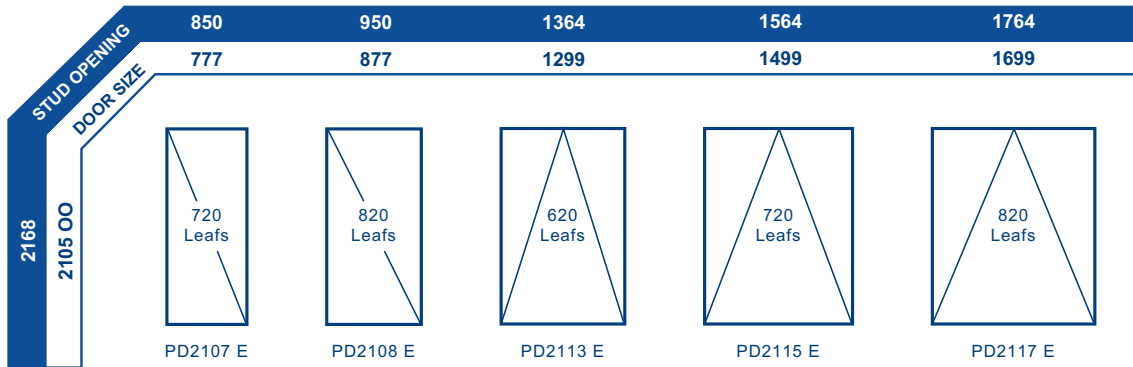
Xtreme® Provincial Door | PD-E | Mk 6 | 26 Oct 2009

Confidentiality Notice: This document and the information it contains are copyright and confidential to Trend® Windows & Doors Pty Limited. Disclosure, use and copying in any form whatsoever, except as authorised by Trend® Windows & Doors in writing, are strictly prohibited. Patents and Design Registrations pending.

Size Range

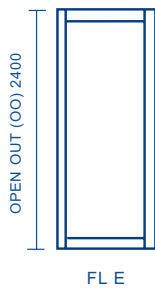
Xtreme® Provincial Door

NSW/VIC/SA/ACT



DOORS

820, 720 & 620 DOOR LEAFS



ALL STATES

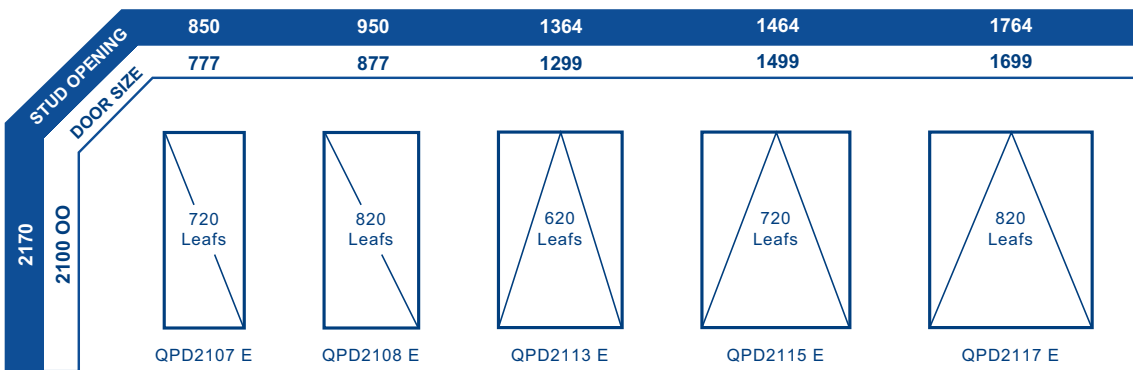
All windows and doors are designed to 700pa velocity and 150pa water rating. For higher ratings consult Trend® Windows & Doors

Maximum frame height is 2400mm

Maximum glass area is 2.4m²

Note: Open Out ONLY

QLD



DOORS

820, 720 & 620 DOOR LEAFS

Door Panel Thickness - 35mm
 ORDERING CODE - QPD###*
 *### - Frame Size
 Maximum Frame Height 2400mm
 Door Panel Selected - used in QPD frame



Please note that drawings are not to scale

Xtreme® Provincial Door | PD-E | Mk 6 | 26 Oct 2009

Ordering Details

Xtreme[®] Provincial Door

All doors are illustrated as viewed from outside.
Codes shown are for plain doors.

The number in the code indicates width of the frame to suit either a 620, 720 or 820 door.
AP Indicates Aluminium Provincial Door.

When specifying door type, firstly select frame size, eg AP898
Select door style by placing the code after the frame size, eg AP898/FL

Opening

OI indicates door Opens In. Eg AP898/FL-OI
OO indicates doors Opens Out., eg AP898/FL-OO

Sash Style Options:

E indicates Xtreme sash style, eg door code AP898/CR-OIE

General:

Black hardware is supplied as standard

Notes:

All windows and doors are designed to 700pa wind velocity and 150pa water rating.

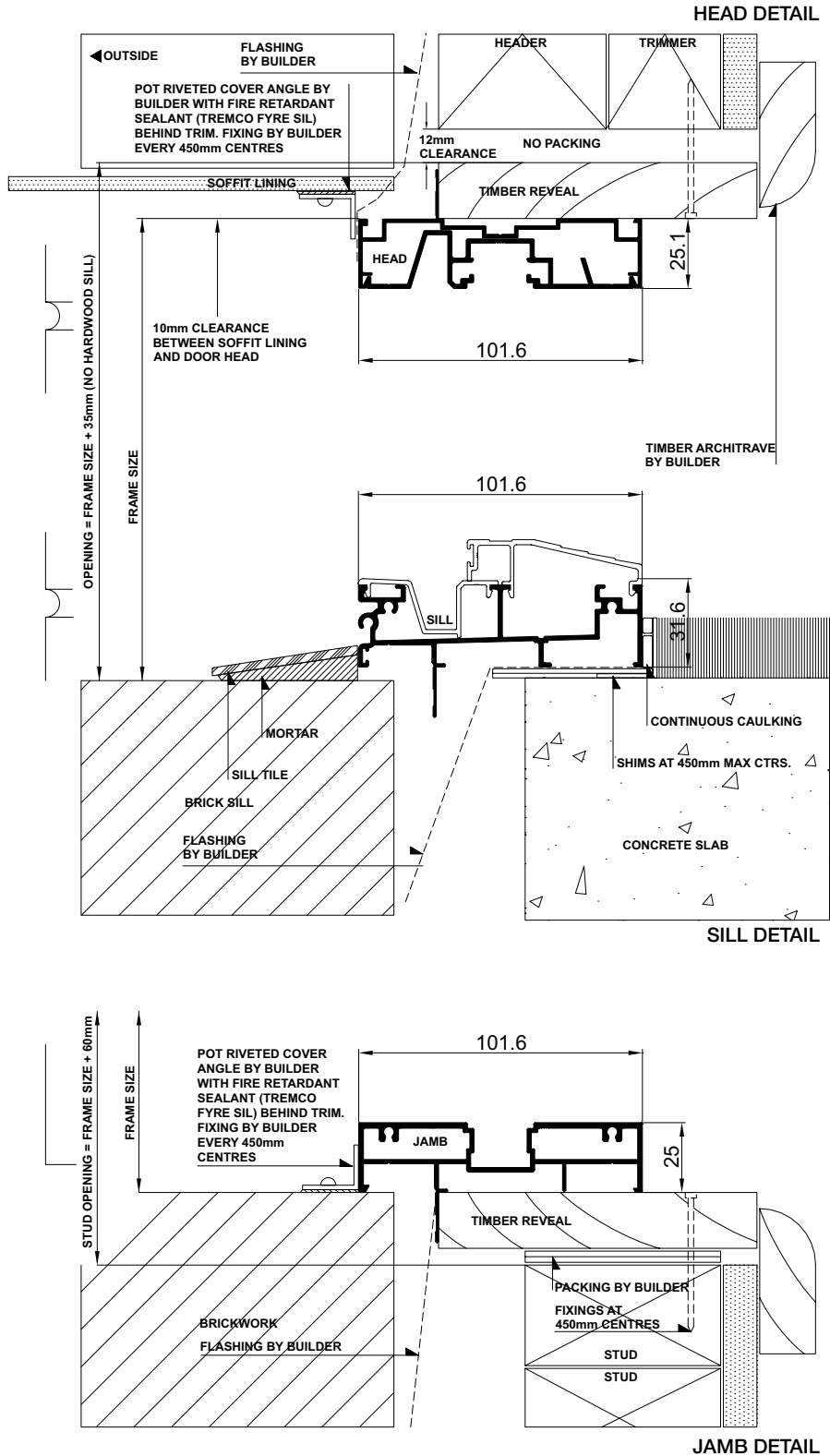
For higher ratings consult Trend[®] Windows & Doors sales personnel.

AP indicates Aluminium Provincial Door.

- 1) When specifying door type, firstly select frame size, eg AP898
- 2) Select door type by placing a code after frame size, eg AP898/FL E
Code: E = Xtreme[®] Bushfire Product

Installation

Xtreme® Provincial Door | Building In Detail | **Brick Veneer - 230mm wall**



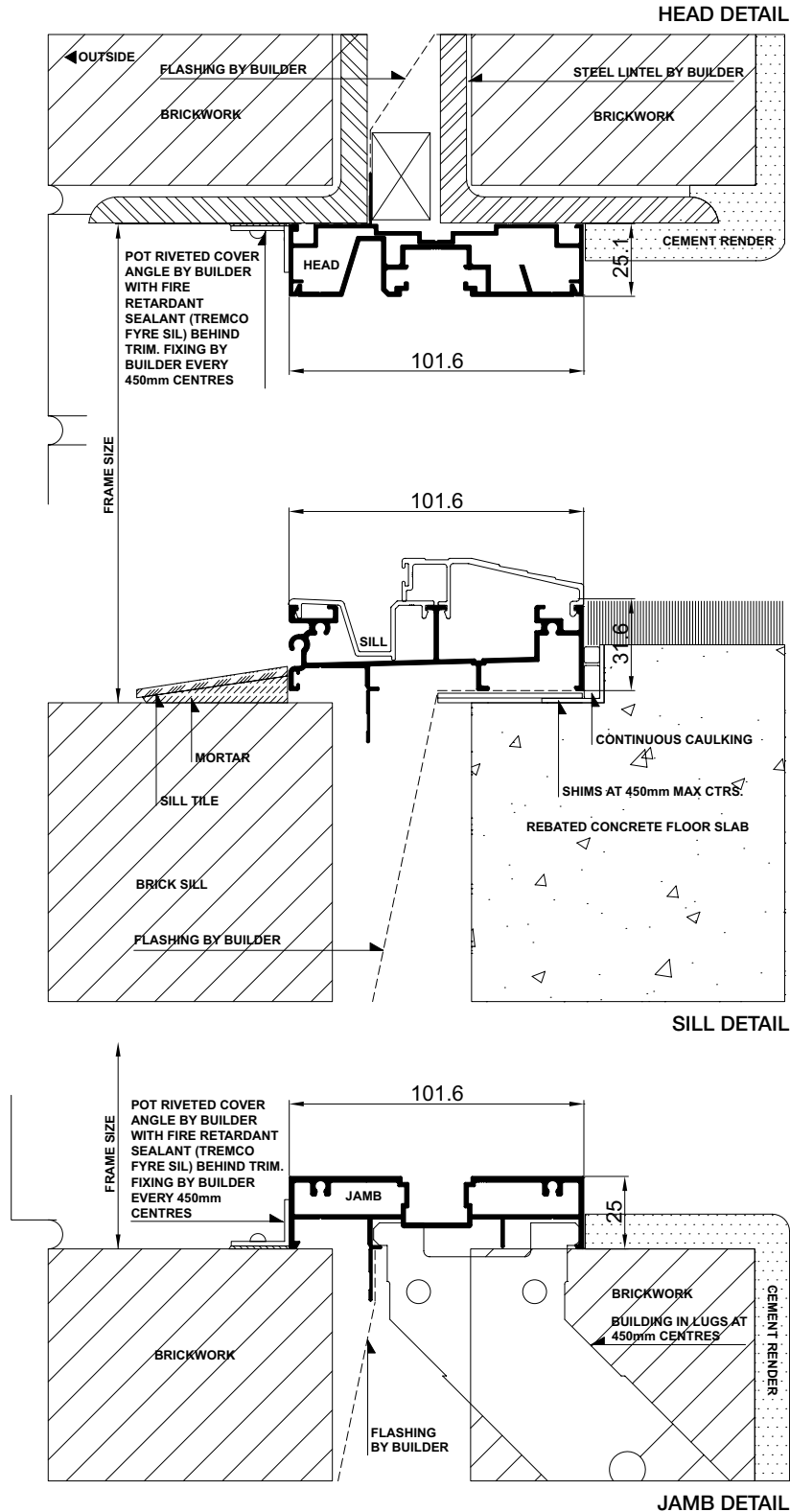
Please note that drawings are not to scale

Xtreme® Provincial Door | PD-E | Mk 6 | 26 Oct 2009

Confidentiality Notice: This document and the information it contains are copyright and confidential to Trend® Windows & Doors Pty Limited. Disclosure, use and copying in any form whatsoever, except as authorised by Trend® Windows & Doors in writing, are strictly prohibited. Patents and Design Registrations pending.

Installation

Xtreme® Provincial Door | Building In Detail | **Double Brick - 280mm wall**



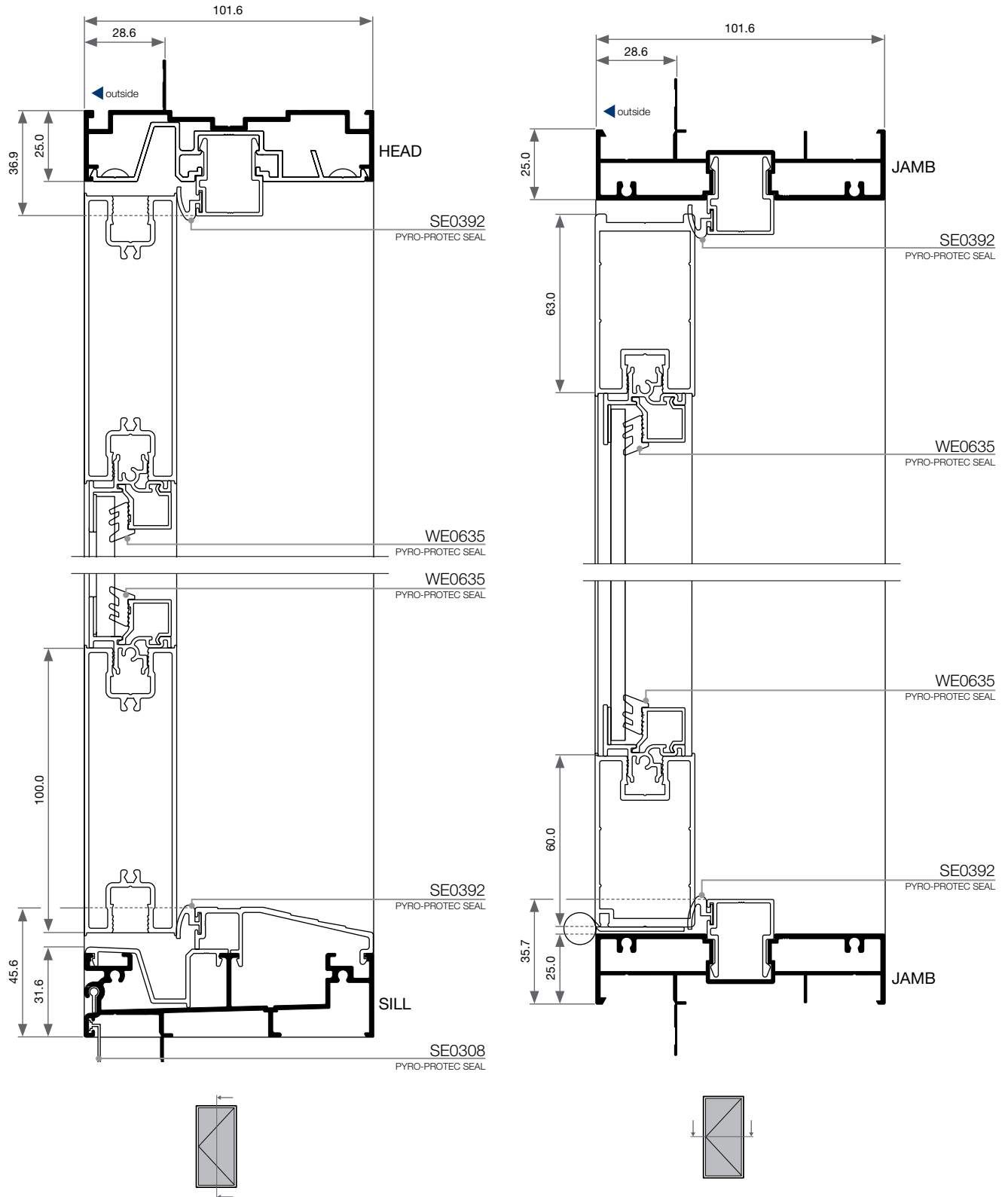
Please note that drawings are not to scale

Xtreme® Provincial Door | PD-E | Mk 6 | 26 Oct 2009

Confidentiality Notice: This document and the information it contains are copyright and confidential to Trend® Windows & Doors Pty Limited. Disclosure, use and copying in any form whatsoever, except as authorised by Trend® Windows & Doors in writing, are strictly prohibited. Patents and Design Registrations pending.

Cross Sectional Views

Xtreme® Provincial Door | **Standard** | Open Out



Please note that drawings are not to scale

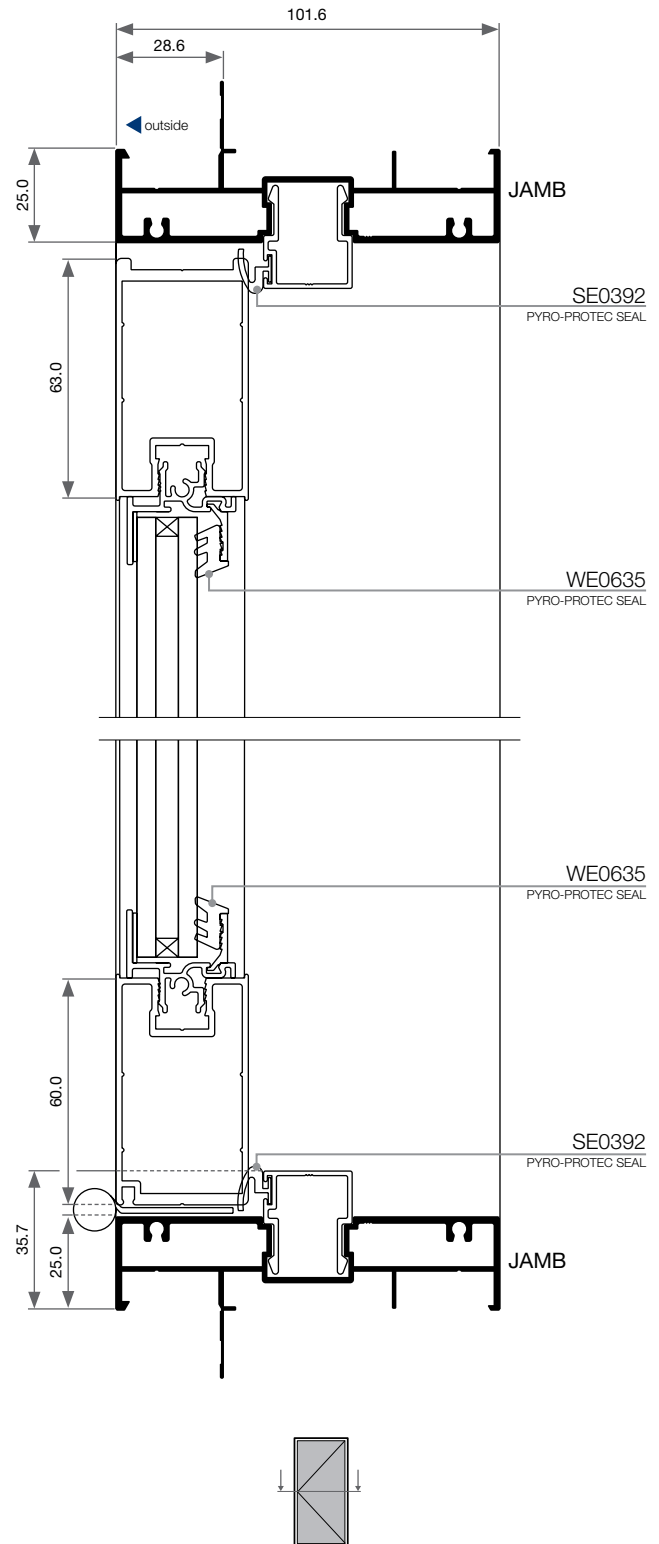
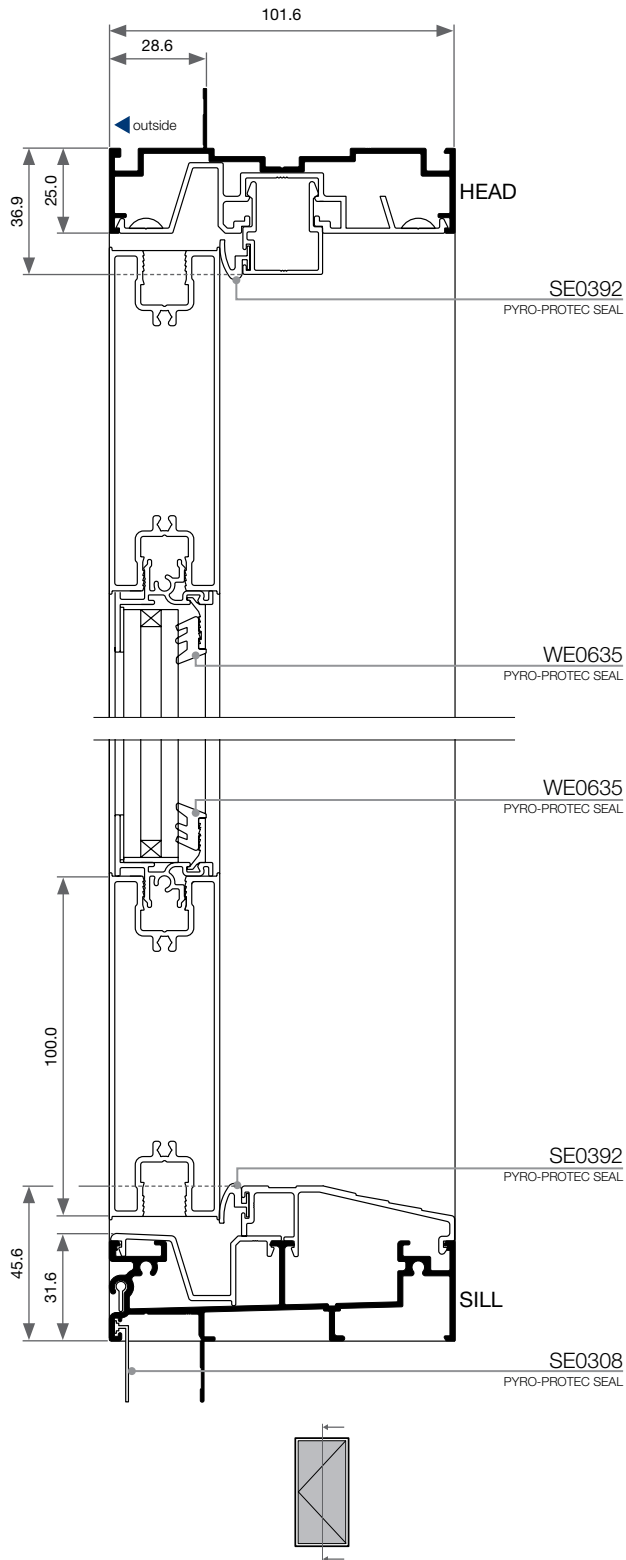
Xtreme® Provincial Door | PD-E | Mk 6 | 26 Oct 2009

Confidentiality Notice: This document and the information it contains are copyright and confidential to Trend® Windows & Doors Pty Limited. Disclosure, use and copying in any form whatsoever, except as authorised by Trend® Windows & Doors in writing, are strictly prohibited. Patents and Design Registrations pending.

Cross Sectional Views

Xtreme® Provincial Door | **Thermashield** | Open Out

DOUBLE GLAZED



Please note that drawings are not to scale

Xtreme® Provincial Door | PD-E | Mk 6 | 26 Oct 2009

Confidentiality Notice: This document and the information it contains are copyright and confidential to Trend® Windows & Doors Pty Limited. Disclosure, use and copying in any form whatsoever, except as authorised by Trend® Windows & Doors in writing, are strictly prohibited. Patents and Design Registrations pending.